



Technical Specifications



20 Series Granulators

Tel +44-1453-768980 • Fax +44-1453-768990 • www.cumberlandeurope.com • Bulletin: CG1-615E • Effective: February 1, 2007 • Supersedes: New

Standard Features:

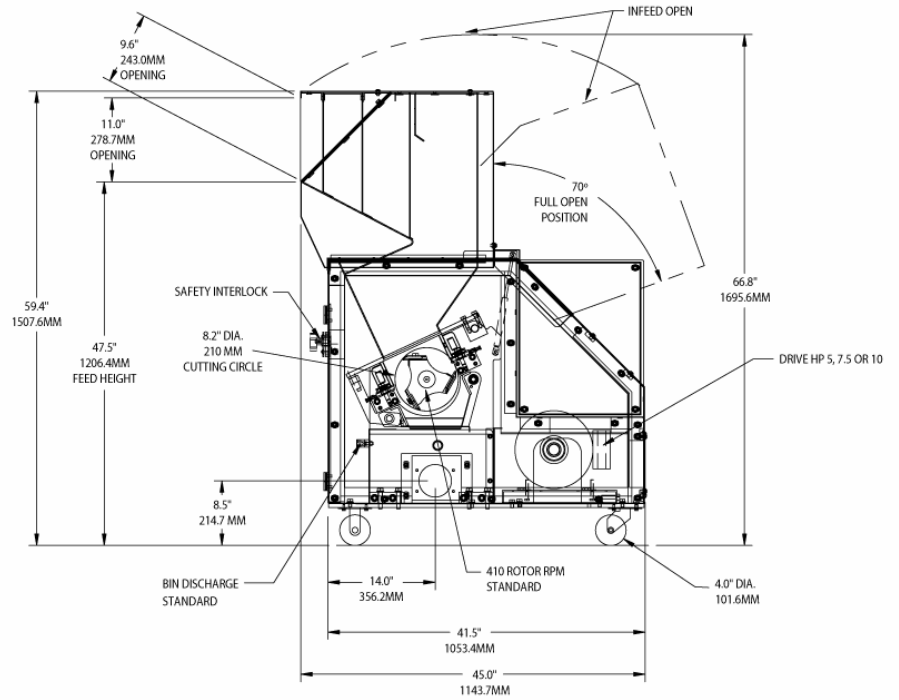
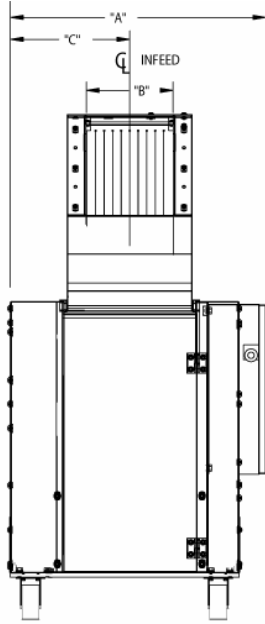
All 20 Series Beside-the-Press granulators come standard with:

- Hopper
 - Hand, Feed hopper with modular access points for feed chute installation
 - Sound attenuated
- Cutting Chamber
 - Offset design, 2 bed knives
 - Machined, bolted, and doweled
 - Fully sound-attenuated to approximately 80-85 dBA
- 3-Knife Rotor
 - Open-scooped with rotating end discs
- Quick-release Hand Knob access
- Rotor and Bed Knives
 - D2 OEM manufactured
 - Proprietary Heat Treating Process
- Pivoting drop-down screen and screen cradle
 - 6 mm standard, 5 mm, 8 mm, 10 mm and other sizes available
- 3.75 kW TEFC motor and solid flywheel drive
- Standard metal bin discharge

Options			
Model	2025	2035	2045
Cutting Circle	210mm		
Avg Throughput (kg/hr)	56	78	100
Cutting Chamber (mm)	203 x 254	203 x 355	203 x 457
Rotor Knives	3-knife open-scooped with rotating end discs		
Discharge	Manual bin standard		
Motor	3.75 kW TEFC standard		
Base	Full machine sound enclosure with casters		
Electrical Components	Start/stop button, with complete safety interlocks		
Controls	IP-55 CE		
Feed Height (manual chute)	1206mm		
Feed Height (front robot/conveyor chute)	1502mm		
Feed Height (rear robot/conveyor chute)	1742mm		
Overall Height (manual chute model)	1507mm		
Overall Length	1144mm		
Overall Width	770mm	871mm	973mm
Weight	553 kg	635 kg	730 kg



Cumberland Europe LTD • Daniels Industrial Estate • Bath Road, Stroud • Gloucestershire, GL53TJ



Machine Model	A	B	C	D
2025	770mm	260mm	363mm	420mm
2035	871mm	360mm	414mm	520mm
2045	973mm	462mm	465mm	622mm